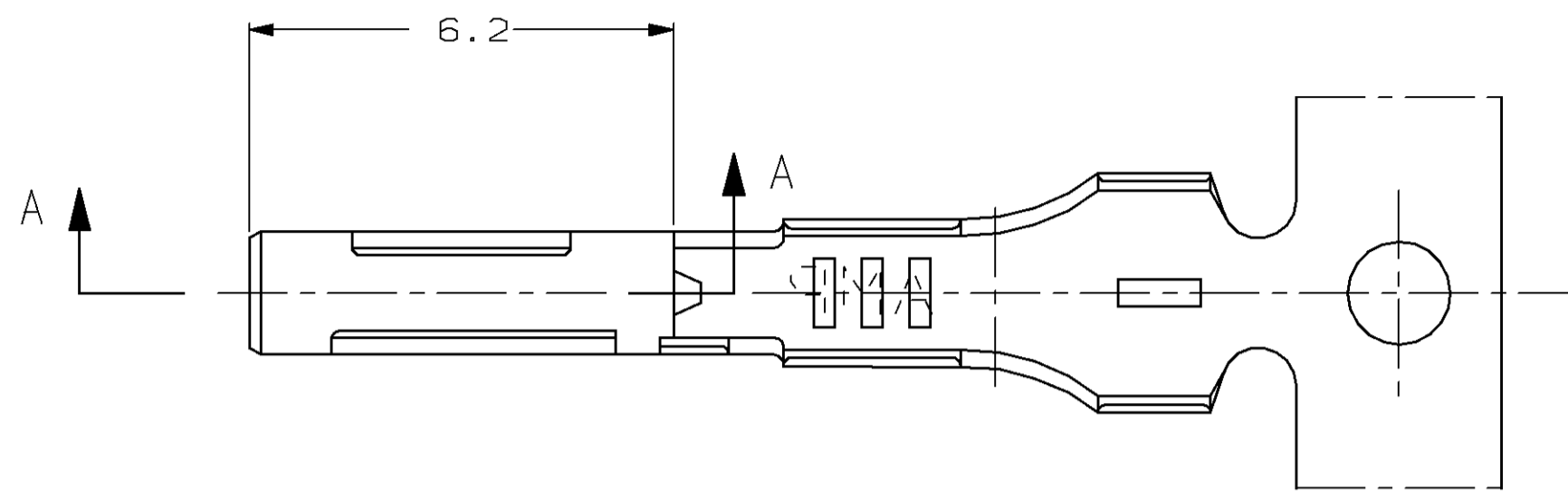
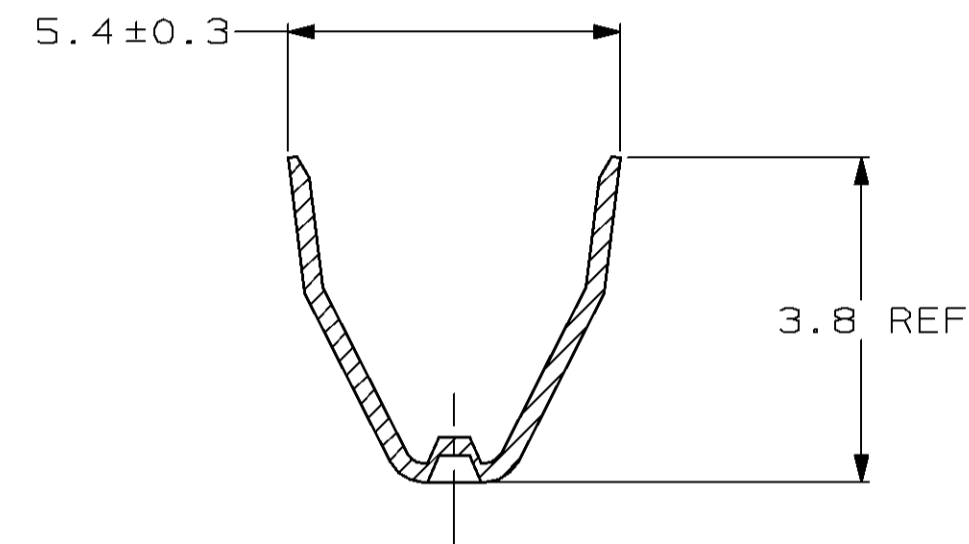
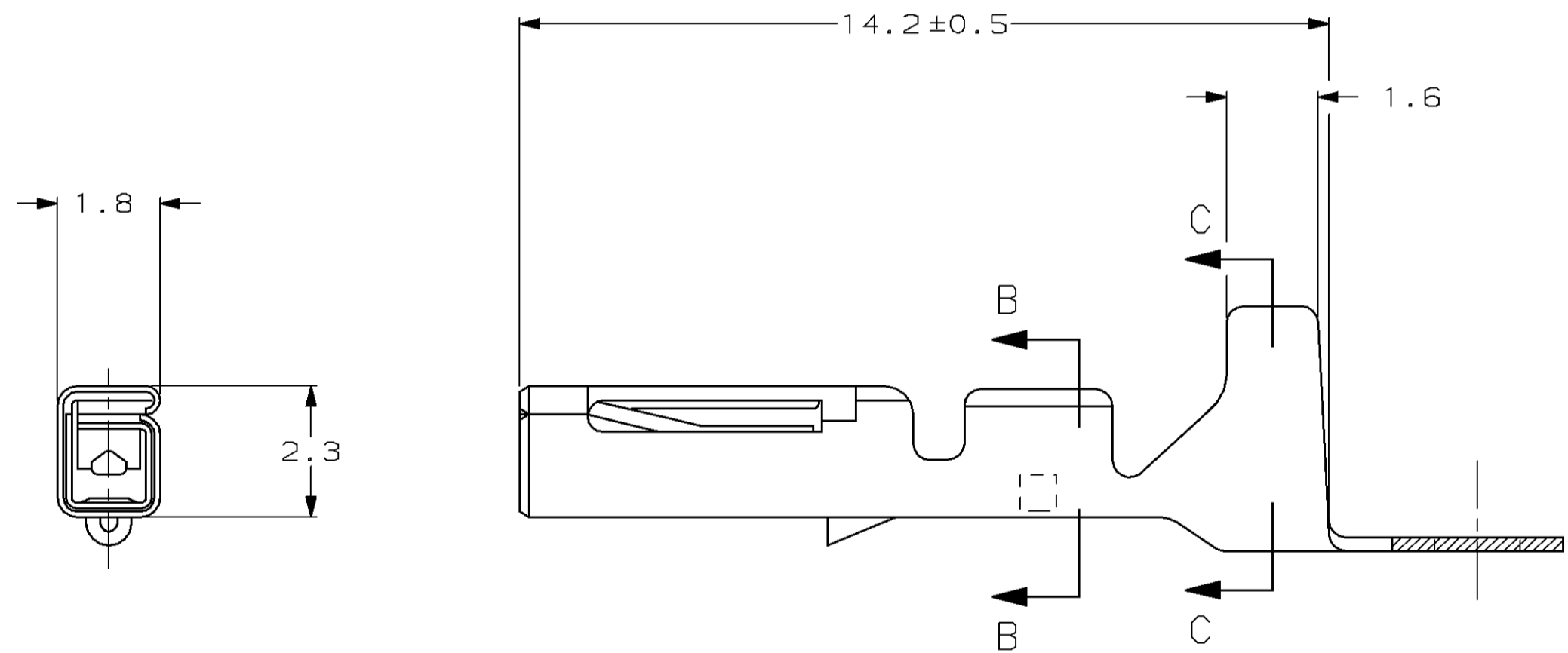


THIS DRAWING IS UNPUBLISHED. RELEASED FOR PUBLICATION
 © COPYRIGHT 19 BY AMP INCORPORATED. ALL RIGHTS RESERVED.

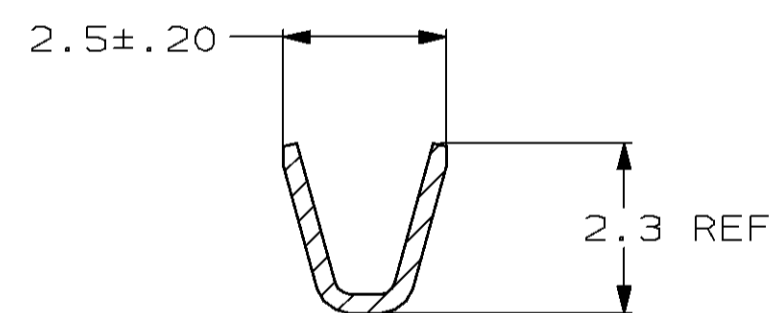
Loc		DIST		REVISIONS			
P	LTR	DESCRIPTION		DATE	DWN	APVD	
FX	55	B		EC OK80-0008-97	2-18-97	PY	SK



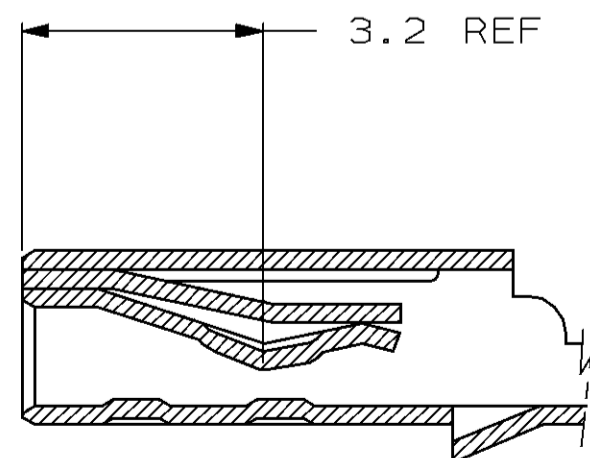
1. WIRE RANGE: 18 AWG, THIN WALL INSULATION



SECTION C-C



SECTION B-B



SECTION A-A

776181

776181-1
PART NUMBER

THIS DRAWING IS A CONTROLLED DOCUMENT.		DWN P. YEAGER	12-18-96	AMP AMP Incorporated Harrisburg, PA 17105-3608
DIMENSIONS: mm		CHK S. KROEGER	12-18-96	
TOLERANCES UNLESS OTHERWISE SPECIFIED:		APVD S. KROEGER	12-18-96	.040 SERIES RECEPTACLE CONTACT
0 PLC ±-		PRODUCT SPEC		
1 PLC ±-		APPLICATION SPEC		SIZE
2 PLC ±0.15		WEIGHT		CAGE CODE
3 PLC ±-		CUSTOMER DRAWING		DRAWING NO
4 PLC ±-		SCALE 10:1		SHEET 1 OF 1
ANGLES ±-		SHEET 1 OF 1		REV B
FINISH PRE-TIN		SCALE 10:1		REV B